

USER MANUAL

TAN9620 Contour Applicator

CONTENTS

Safety Precautions	2
Parts Diagram	3
Spray Patterns	4
Proper Assembly	5
Troubleshooting	6 - 7
Warranty Information	8

SAFETY PRECAUTIONS

Please read these instructions carefully before using the equipment.



FIRE AND EXPLOSION HAZARD

- Do not spray flammable or combustible materials near an open flame or sources of ignition such as cigarettes, motors, and electrical equipment.
- Keep spray area well-ventilated. Keep a good supply of fresh air moving through the area. Keep turbine in a well-ventilated area. Do not spray turbine.
- Never use 1,1,1-trichloroethane, methylene chloride, other halogenated hydrocarbon solvents or fluids containing such solvents in equipment with aluminum wetted parts. Such use could result in a serious chemical reaction, with the possibility of explosion. Consult your fluid suppliers to ensure that the fluids being used are compatible with aluminum parts.



TOXIC FLUID OR FUMES HAZARD

Toxic fluids or fumes can cause serious injury or death if splashed in the eyes or on skin, inhaled, or swallowed.

- Always wear appropriate gloves and eye protection.
- Always wear a mask. Read all instructions of the respirator or mask to ensure that it will provide the necessary protection against the inhalation of harmful vapors. Please check with the local jurisdiction.
- Tanning Solution and other materials may be harmful if inhaled.



EQUIPMENT MISUSE HAZARD

Misuse of equipment can cause serious injury or death.

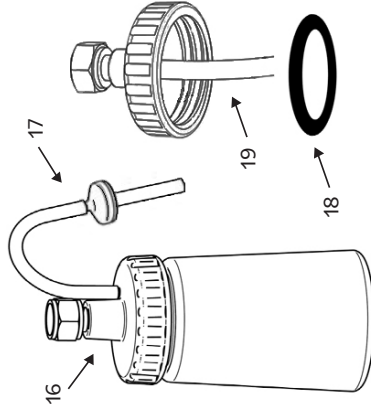
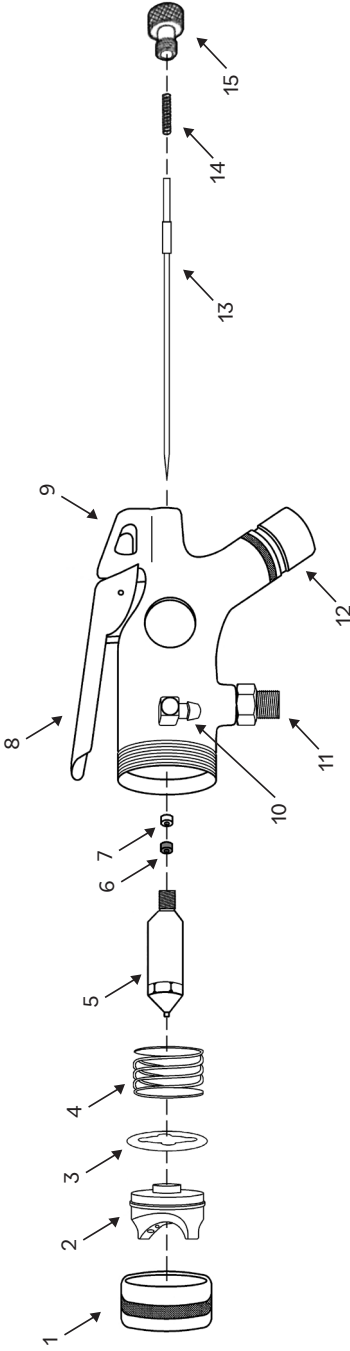
- Do not operate or spray near children. Keep children away from equipment at all times.
- Do not overreach or stand on an unstable support. Keep effective footing and balance at all times.
- Stay alert and watch what you are doing.
- Do not operate the unit when fatigued or under the influence of drugs or alcohol.
- Check the hose, hose connectors and power cord daily. Any worn or damaged parts should be replaced immediately.
- Use only genuine Fuji Spray replacement parts.



Prop 65 Warning for California Residents

WARNING: This product may contain chemicals known to the State of California to cause cancer, birth defects, or other reproductive harm.

TAN9620 CONTOUR APPLICATOR



ITEM	NAME	ITEM	NAME
1	Collar	11	Fluid Coupler*
2	Air Cap	12	Hose Connector*
3	Air Cap Plate	13	Needle Assembly
4	Air Cap Spring	14	Needle Spring
5	Fluid Nozzle	15	Fluid Control Knob
6	Needle Packing Screw*	16	Cup Assembly
7	Needle Packing*	17	Pressure Tube with Check Valve
8	Trigger*	18	Cup Lid Gasket
9	Cun Body	19	Pick Up Tube
10	90 Degree Nipple*		

*Parts indicated with * are not removable.*

To flush out any debris that may have accumulated during assembly or shipping, we recommend spraying a small quantity of water through the Applicator. Before starting any spray tanning, we suggest you experiment with plain water until you become familiar with all the controls.

SPRAY PATTERNS

Three different pattern settings can be chosen on the Applicator depending on the use.

To set your Applicator to a specific spray pattern, rotate the Aircap #2 to the desired position. Always make sure the Collar is snug tight. Do not over-tighten.

To produce a vertical fan pattern, rotate the Aircap #2 in a horizontal position. To produce a horizontal fan pattern, rotate the Aircap #2 in a vertical position. For a smaller circular pattern, rotate the Aircap #2 in a 45 degree angle position, then adjust fluid output in tandem.

A. This pattern is used when spraying from side to side.



A

B. This pattern is used when spraying up and down.



B

C. This pattern is used for contouring and touch-ups.



C

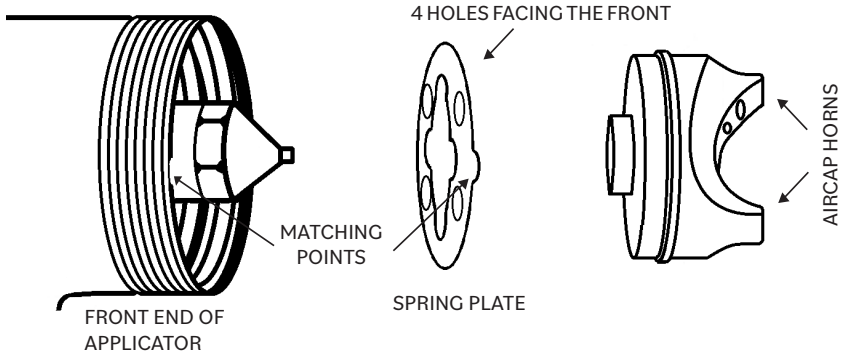
If you turn the fan pattern to a round spray pattern, you will have to reduce the volume amount of tanning solution by turning the Fluid Knob #15. If you do not do this, you will get runs. You can use this much smaller pattern to “touch up” areas such as bikini strap lines or to enhance certain areas such as the abdominals and other muscular features. For best results, hold the Applicator closer to your subject (as close as 1 inch or less).

PROPER ASSEMBLY

When assembling the applicator after a thorough clean, be sure to properly install the components as shown in these instructions, as failure to do so will result in spray problems.

It is best to position the applicator facing upwards so that the front end components can easily be put in place.

- Once the Fluid Nozzle #5 and Aircap Spring #4 are in place, locate the small tab on the edge of the Spring Plate #3.
- Position the Spring Plate so that the 4 holes face outward
- As the Spring Plate rests on the Aircap Spring, the Spring Plate's tab must match the groove on the left edge of the front of the Gun Body



- Carefully slot in the Aircap #2, the base of the Aircap must be flush with Spring Plate.
- Place Collar #1 over the Aircap, but do not thread in yet
- With your index and middle finger, gently press on the Aircap Horns all the way then thread in the Collar until snug tight. Do not over-tighten.

Be sure to install the Needle #13, Spring #14 and Fluid Knob #15 after the components of the front of the Applicator are in place.

DO NOT SOAK THE WHOLE APPLICATOR IN ANY LIQUID - THIS IS NEVER NECESSARY OR ADVISABLE.

TROUBLESHOOTING

1) Solution coming out from nozzle without Trigger engaged

- Check and clean Fluid Nozzle #5. If damaged, it will require replacement
- Check and clean the Needle #13. If damaged, it will require replacement

2) Uneven pattern when spraying

- Check and clean Nozzle #5
- Check and clean Air Cap #2. Use a soft cleaning brush. Never use metal objects to clean holes in the Air Cap

3) Poor Spray Pattern

- Damaged Needle #13 or Fluid Nozzle #5. This will require replacement
- Check Fluid Nozzle and Air Holes in Air Cap #2. This will require cleaning
- Applicator too far from surface

4) Excessive overspray

- Reduce fluid volume flow or adjust fan pattern
- Applicator is being held too far away
- Install an extraction fan

5) Leaking from the Solution Cup Rim

- Ensure that the Cup is tightened fully
- Replace Cup Lid Seal (Gasket) #18 as it may be worn.

6) Fluid at the Air Cap Holes

- The Fluid Nozzle #5 is loose and solution is leaking around it - tighten the Nozzle using the supplied Wrench

7) Applicator Sprays in a pulsating manner

- The Solution Cup is almost empty. Add more solution
- Clean the Fluid Coupler #11 thoroughly
- Inspect Pressure Tube #17 and Cup Gasket 18. Replace if damaged

8) Little to no solution coming out

- Fluid Knob #15 is turned in too far - turn out to allow more solution flow
- Fluid Coupler is clogged:
 - a) Remove the Cup Assembly
 - b) Use a cleaning brush to unclog the inside of the Fluid Coupler with soapy water
 - c) Use the brush to also clean the out the solution passage at the bottom of the Cup

Fuji Spray® 12 Month Limited Warranty

Fuji Industrial Spray Equipment Ltd. (“Fuji”) provides a 12 month limited warranty on the product to the original purchaser effective from the date of purchase against defects in materials and workmanship.

The warranty does not cover damage or defects arising as a result of abuse, misuse, accident, negligence, malfunction, corrosion, normal wear and tear, inadequate or lack of spray gun or other aspects of maintenance of the product, damage arising from improper assembly, installation or operation, damage arising from the product being used with parts that are not genuine Fuji Spray® parts, or damage arising from the product being used for a purpose other than that for which it was designed or intended. The warranty is void if repairs to the product are made or attempted by anyone other than Fuji or its authorized agent, or if any modifications to the product are made or attempted.

Purchasers located in North America must obtain a Return Material Authorization number by calling Fuji at 1-800-650-0930 before returning the product to Fuji or its designated representative.

Purchasers located outside North America must contact the vendor from which they purchased the product. In all instances purchasers must return the product together with proof of purchase and with shipping prepaid. For valid warranty claims the product will be returned to the purchaser with shipping prepaid.

This is the only warranty provided by Fuji with respect to the product and is in lieu of any other warranties, express or implied, including but not limited to any warranty of merchantability or fitness for a particular purpose. Fuji’s sole obligation under this warranty shall, at its option, be to either repair or replace a product determined by Fuji to be defective. In no event shall Fuji be liable for loss of profits, incidental or consequential damages, injury to any person or property, or any other damages of whatsoever nature.

FUJI SPRAY® SUNLESS

CONNECT WITH US!

 @FUJISPRAYSUNLESS

 @FUJISPRAYSUNLESS

 @FUJISPRAY

NEED HELP?

 FUJISPRAY.COM
FUJISPRAYSUNLESS.COM

 SUPPORT@FUJISPRAY.COM

 +1 (800) 650 0930